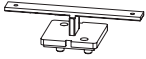


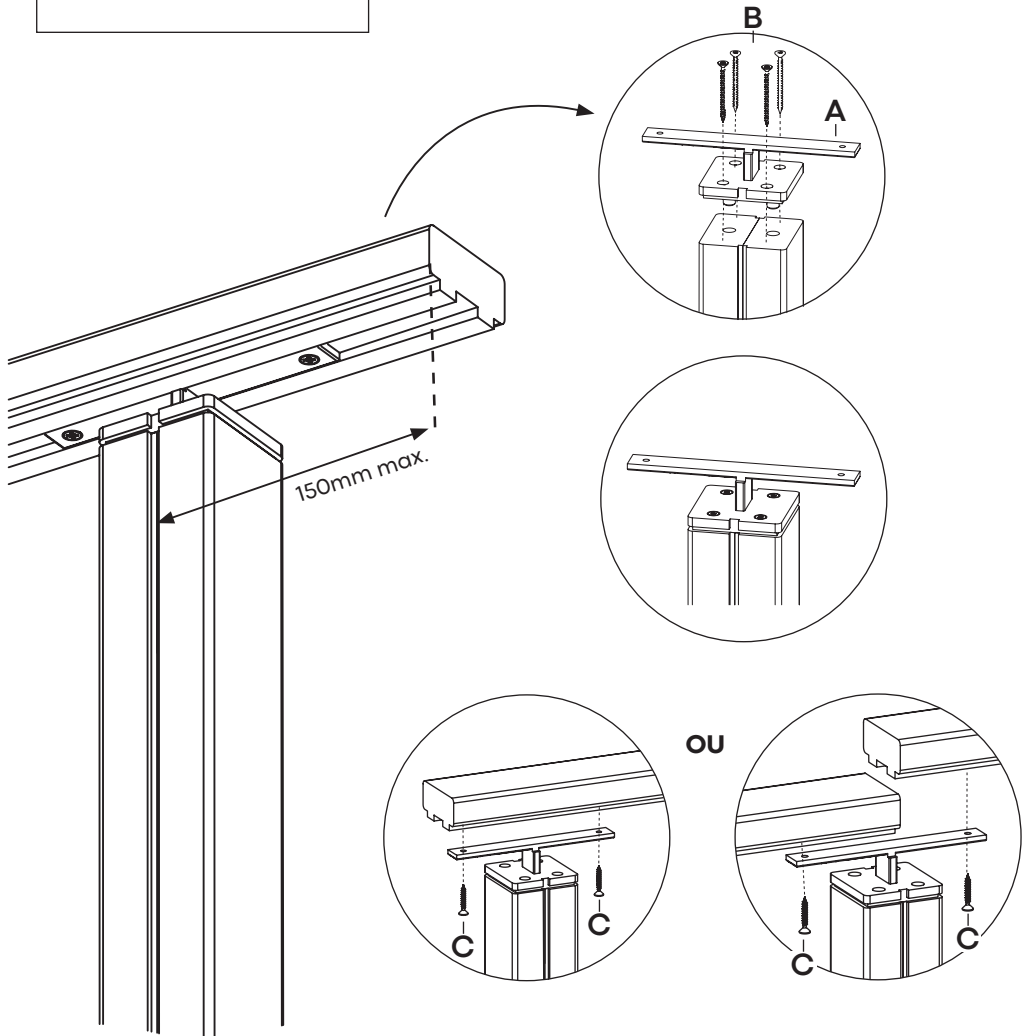


5

**SUPPORT DE RAMPE**  
*handrail bracket*  
REF. 0250050

**ALU**  
NOIR

- A x 1 
- B x 4 
- C x 2 



REF. 0250050



3443440250050



[www.kordodesign.com](http://www.kordodesign.com)



FR  
Éléments  
d'emballage