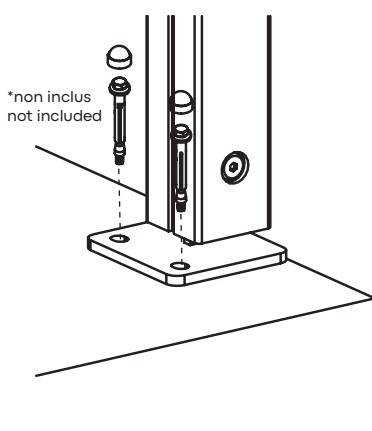
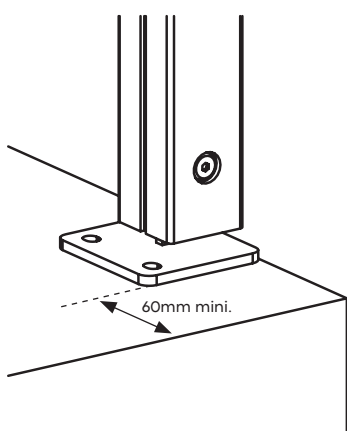
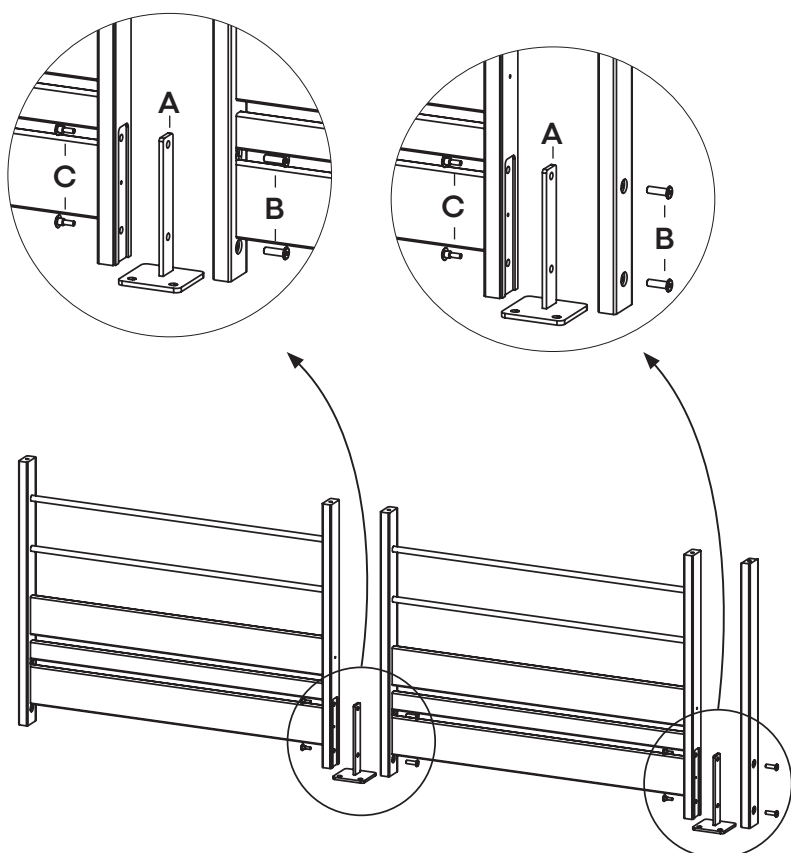
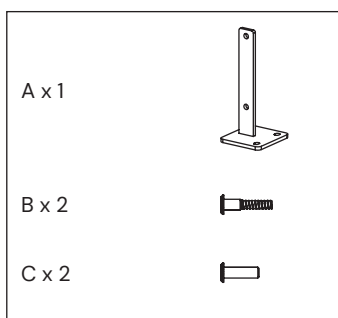


4

**SUPPORT DE POTEAU**

*post bracket*  
REF. 0250104

**ALU**  
NOIR



REF. 0250104



3443440250104



[www.kordodesign.com](http://www.kordodesign.com)



FR  
Éléments  
d'emballage

